



Resistance thermometer Screw in sensor perforated or outcutted Series GF-7132

PRODUCT FEATURES

- ✓ Resistance thermometer acc. to DIN EN 60751
- ✓ High precision platinum sensor
- ✓ High precision measuring system
- ✓ Single / double measuring system
- ✓ Vibration resistant design
- ✓ High temperature resistance
- ✓ Durable
- ✓ Process and fail safe
- ✓ Temperature and long-term stable
- ✓ ATEX version
- ✓ FDA / CE compliant version

TECHNICAL DETAILS

Core values

PT50/PT100/PT500/PT1000
KTY/NTC/PTC

Diameter

6,0 mm – 10,00 mm in standard

Design of the measuring tip

Perforated or outcutted

Installation length

Min. 20mm up to max. 2000mm

Material

Sensor completely made of stainless steel

Process temp. at the measuring tip

Up to +600°C depending on version

Process connection

Using a matching compression fitting

High – quality cable types

Connection cables
All available versions

Connectivity

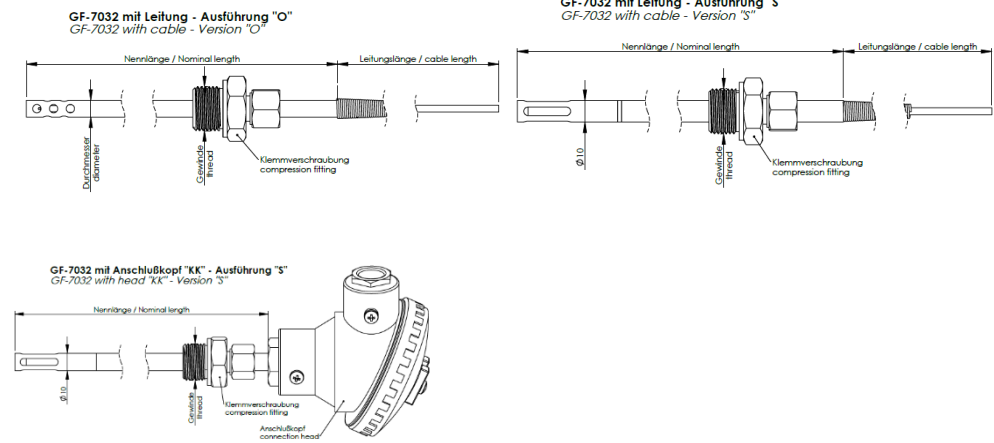
Connection head, free ends, plugs,
special

Special version

Customized, on request

Standard version									
	GF-7132								
Number of measuring systems									
1x			1						
2x			2						
Core values measuring system									
PT100 Class B			n/a						
PT100 Class A			K1A						
PT100 Class AA			K1AA						
PT50/PT500/KTY/NTC/PTC + Type			KTY						
Further versions on request									
Types of electrical circuits									
2-wire-circuit			n/a						
3-wire-circuit			3-L						
4-wire-circuit			4-L						
Further versions on request									
Diameter measuring tube									
6,0 mm			6,0						
8,0 mm			8,0						
10,0 mm			10,0						
Mention in mm									
Measuring tube form (check graphic below)									
Perforated						O			
Outcutted						S			
Special version									
Installation length									
50 mm						50			
mention in mm									
Matching compression fitting									
G1/4							43		
G1/2							82		
G3/4							83		
G1							84		
M8							M8		
M10							M10		
Further versions on request									
Connection heads									
B-head								BK	
K-head								KK	
A-head								AK	
Check connection head selection									
Cable length in mm (if cable version is needed)									
Angabe in mm								XXXX	
Cable type (if cable version is needed)									
Glass fiber - Glass fiber - stainless steel braid									without mention
Glass fiber - Glass fiber - stainless steel braid - PTFE									GL-GL-PVA-TE
R - Glass fiber - R - Glass fiber - stainless steel braid									RGL-RGL-PVA
Check cable types									
Connection									
Free Ends, 60 mm									A
Check ends									PRF
LEMO plug + size + number of poles									LST2PS
Round plug screw lock + size + number of poles									DST3PS
M 12 Round plug + number of poles									EST-M12-4P
Check plug types									
Temperature measuring tip									
Mention in °C									400°C
Order code (example) → GF-7132 1 - . 3-L. 8,0. S. 50. 82. KK 400°C									

MEASURES



DIGITAL DATA
2D, 3D and CAD

[to Download](#)