



Resistance thermometer Surface sensor with brass sheet Series GF-7131/MS

PRODUCT FEATURES

- ✓ Resistance thermometer acc. to DIN EN 60751
- ✓ High precision measuring system
- ✓ Single / double measuring system
- ✓ Vibration resistant design
- ✓ High temperature resistance
- ✓ Durable
- ✓ Process and fail safe
- ✓ Temperature and long-term stable
- ✓ FDA compliant version

TECHNICAL DETAILS

Core values

PT50/PT100/PT500/PT1000
KTY/NTC/PTC

Standard measures

Brass sheet 30 x 15 x 0,3 mm

Cable outlet

Straight

Material

Brass sheet /
Sensor made of stainless steel

Kink protection spring

Stainless steel

Process temp. at the measuring tip

Up to +400 °C depending on version

Process connection

Clamp fixing e.g. underneath heating elements

High - quality cable types

Connection cables
All available versions

Connectivity

Free ends, plug

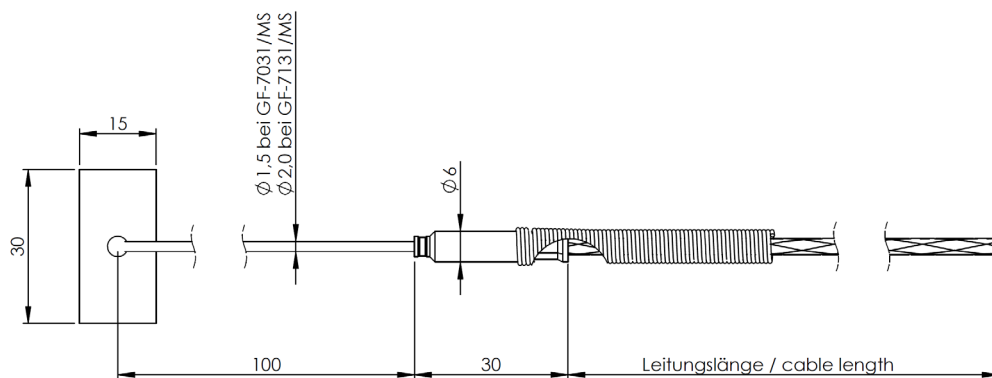
Special version

Customized, on request

Standard version							
	GF-7131/MS						
Number of measuring systems							
1x		1					
2x		2					
Core values measuring system							
PT100 Class B DIN EN 60751			n/a				
PT100 Class A DIN EN 60751			K1.A				
PT100 Class AA DIN EN 60751			K1.AA				
PT50/PT500/KTY/NTC/PTC + Type			KTY				
Further versions on request							
Types of electrical circuits							
2-wire-circuit			n/a				
3-wire-circuit			3-L				
4-wire-circuit			4-L				
Sensor measures							
Standard 30 x 15 x 0,3 mm				n/a			
Further versions on request							
Cable length in mm							
Mention in mm				XXXX			
Cable type							
Glass fiber - Glass fiber - stainless steel braid					without mention		
Glass fiber - Glass fiber - stainless steel braid - PTFE					GL-GL-PVA-TE		
R - Glass fiber - R - Glass fiber - stainless steel braid					RGL-RGL-PVA		
Check cable types							
Connection							
Free Ends, 60 mm						A	
Check ends						PRF	
LEMO plug + number of poles + size						LST2P1S	
Round plug screw lock + size + number of poles						DST3PS	
M 12 Round plug + number of poles						EST-M12-4P	
Check plug types							
Temperature measuring tip							
Mention in °C							400°C
Order code (example) →							
GF-7131/MS	.1	-	3-L	3000		A	400°C

MEASURES

GF-7x31/MS





DIGITAL DATA
2D, 3D and CAD

to Download