

Resistance thermometer Surface sensor with brass retaining plate Series GF-7131/MS

PRODUCT FEATURES

- ✓ Resistance thermometer acc. to DIN EN 60751
- ✓ High precision platinum sensor
- ✓ High precision measuring system
- ✓ Single / double measuring system
- ✓ Vibration resistant design
- ✓ High temperature resistance
- ✓ Durable
- ✓ Process and fail safe
- ✓ Temperature and long-term stable
- ✓ ATEX version
- ✓ FDA / CE compliant version

TECHNICAL DETAILS

Core values

PT50/PT100/PT500/PT1000
KTY/NTC/PTC

Standard measures

Brass segment 30 x 15 x 0,3 mm

Cable outlet

Straight

Material

Brass sheet /
Sensor made of stainless steel

Kink protection spring

Stainless steel,
length 70 mm in standard

Process temp. at the measuring tip

Up to +400°C depending on version

Process connection

Mounting screws M4, enclosed

High - quality cable types

Connection cables
All available versions

Connectivity

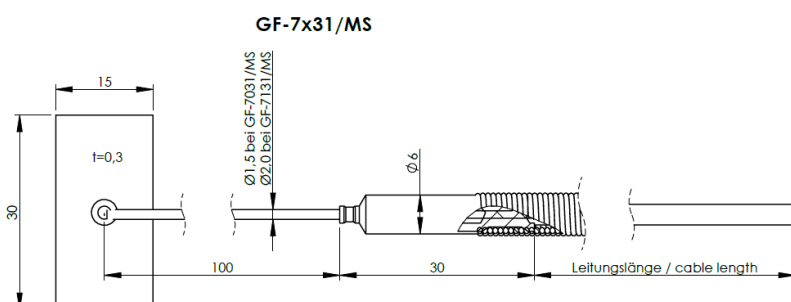
Free ends, plug, special

Special version

Customized, on request

Standard version									
	GF-7131								
Sensor version									
Cable outlet STRAIGHT	/MS								
Number of measuring systems									
1x		1							
2x		2							
Core values measuring system									
PT100 Class B		n/a							
PT100 Class A		K1A							
PT100 Class AA		K1AA							
PT50/PT500/KTY/NTC/PTC + Type		KTY							
Further versions on request									
Types of electrical circuits									
2-wire-circuit							o.a.		
3-wire-circuit							3-L		
4-wire-circuit							4-L		
Further versions on request									
Sensor measures									
Standard 30 x 15 x 0,3 mm							n/a		
Further versions on request									
Cable length in mm									
Mention in mm							XXXX		
Cable type									
Glass fiber - Glass fiber - stainless steel braid								without mention	
Glass fiber - Glass fiber - stainless steel braid - PTFE								GL-GL-PVA-TE	
R - Glass fiber - R - Glass fiber - stainless steel braid								RGL-RGL-PVA	
Check cable types									
Connection									
Free Ends, 60 mm								A	
Check ends								PRF	
LEMO plug + size + number of poles								LST2PS	
Round plug screw lock + size + number of poles								DST3PS	
M 12 Round plug + number of poles								EST-M12-4P	
Check plug types									
Temperature measuring tip									
Mention in °C									400°C
Order code (example) → GF-7131 /MS 1 - . . 3000. A 400°C									

MEASURES



DIGITAL DATA
2D, 3D and CAD

[to Download](#)