



Resistance thermometer Surface sensor with disk/ring cable lug Series GF-7129

PRODUCT FEATURES

- ✓ Resistance thermometer
acc. to DIN EN 60751
- ✓ High precision measuring system
- ✓ Single / double measuring system
- ✓ Vibration resistant design
- ✓ High temperature resistance
- ✓ Durable
- ✓ Process and fail safe
- ✓ Temperature and long-term stable
- ✓ FDA compliant version

TECHNICAL DETAILS

Core values

PT50/PT100/PT500/PT1000
KTY/NTC/PTC

Segment measures

Standard Ø16 x 5 mm

Leitungsabgang

Disk - angled 5°
Ring cable lug - straight

Material

Disk - stainless steel
Ring cable lug - pure nickel

Kink protection spring

Stainless steel

Process temp. at the measuring tip

Up to +600°C depending on version

Process connection

Standard M6 screw
Further versions on request

High - quality cable types

Connection cables
All available versions

Connectivity

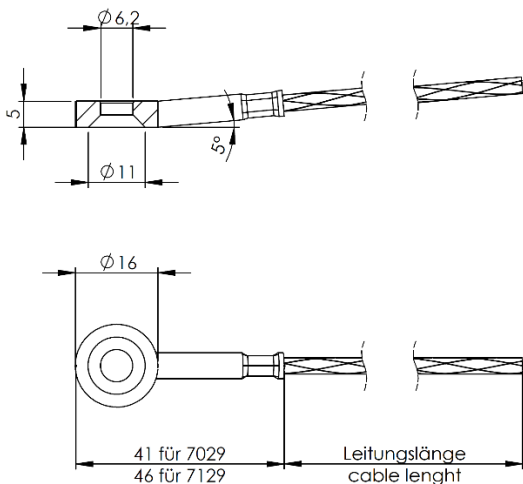
Free ends, plug

Special version

Customized, on request

Standard version									
	GF-7129								
Special version									
Version with disk		n/a							
Version with ring cable lug		/KAB							
High temperature version		/7150							
Number of measuring systems									
1 x		1							
2x		2							
Core values measuring system									
PT100 Class B DIN EN 60751		n/a							
PT100 Class A DIN EN 60751		K1.A							
PT100 Class AA DIN EN 60751		K1.AA							
PT50/PT500/KTY/NTC/PTC + Type		KTY							
Further versions on request									
Types of electrical circuits									
2-wire-circuit		n/a							
3-wire-circuit		3-L							
4-wire-circuit		4-L							
Diameter of the measuring tip									
Disk Ø16 x 5 mm M6					16x5				
Disk Ø16 x 5 mm M5					10x5				
Ring cable lug M5					M5				
Ring cable lug M4					M4				
Further versions on request									
Cable length in mm									
Mention in mm					XXXX				
Cable type									
Glass fiber - Glass fiber - stainless steel braid							without mention		
Glass fiber - Glass fiber - stainless steel braid - PTFE							GL-GL-PVA-TE		
R - Glass fiber - R - Glass fiber - stainless steel braid							RGL-RGL-PVA		
Check cable types									
Connection									
Free Ends, 60 mm							A		
Check ends							PRF		
LEMO plug + number of poles + size							LST2P1S		
Round plug screw lock + size + number of poles							DST3PS		
M 12 Round plug + number of poles							EST-M12-4P		
On request, see datasheet connectors									
Temperature measuring tip									
Mention in °C									400°C
Order code (example)	→	GF-7129	.1	K1.A	-	16x5	3000	A	400°C

MEASURES





DIGITAL DATA
2D, 3D and CAD

to Download