

## Resistance thermometer Angled with angle head Serie GF-7123

### PRODUCT FEATURES

- ✓ Resistance thermometer acc. to DIN EN 60751
- ✓ High precision platinum sensor
- ✓ High precision measuring system
- ✓ Single / double measuring system
- ✓ Vibration resistant design
- ✓ High temperature resistance
- ✓ Durable
- ✓ Process and fail safe
- ✓ Temperature and long-term stable
- ✓ ATEX version
- ✓ FDA / CE compliant version

### TECHNICAL DETAILS

#### Core values

PT50/PT100/PT500/PT1000  
KTY/NTC/PTC

#### Diameter

3,0 mm - 8,00 mm in standard

#### Form of the measuring tip

118° angled, plan, convex

#### Installation length

Min. 10mm up to max. 2000mm

#### Material

Sensor completely made of stainless steel

#### Process temp. at the measuring tip

Up to +600°C depending on version

#### Process connection

Using a suitable compression fitting

#### High - quality cable types

Connection cables  
All available versions

#### Connectivity

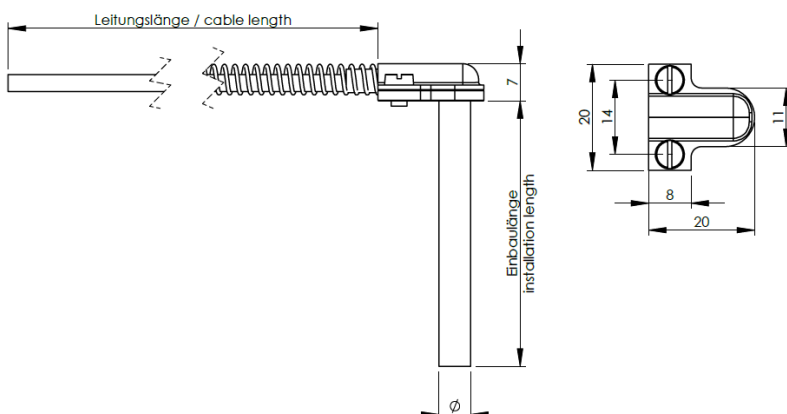
Free ends, plug, special

#### Special version

Customized, on request

<b>Standard version</b>									
	GF-7123								
<b>High temperature version</b>									
Standard version									
ATEX		EX							
<b>Number of measuring systems</b>									
1x			1						
2x			2						
<b>Core values measuring system</b>									
PT100 Class B			n/a						
PT100 Class A			K1A						
PT100 Class AA			K1AA						
PT50/PT500/KTY/NTC/PTC + Type			KTY						
Further versions on request									
<b>Types of electrical circuits</b>									
2-wire-circuit			n/a						
3-wire-circuit			3-L						
4-wire-circuit			4-L						
Further versions on request									
<b>Diameter of the measuring tube</b>									
3,0 mm					3,0				
4,0 mm					4,0				
5,0 mm					5,0				
6,0 mm					6,0				
Mention in mm									
<b>Measuring tube form (check graphic below)</b>									
Angled 118°							W		
Plan							P		
Convex							B		
Special version									
<b>Installation length incl. thread adapter</b>									
50 mm							50		
Mention in mm									
<b>Cable length in mm</b>									
Mention in mm							XXXX		
<b>Cable type</b>									
Glass fiber - Glass fiber - stainless steel braid								without mention	
Glass fiber - Glass fiber - stainless steel braid - PTFE								GL-GL-PVA-TE	
R - Glass fiber - R - Glass fiber - stainless steel braid								RGL-RGL-PVA	
Check cable types									
<b>Connection</b>									
Free Ends, 60 mm								A	
Check ends								PRF	
LEMO plug + size + number of poles								LST2PS	
Round plug screw lock + size + number of poles								DST3PS	
M 12 Round plug + number of poles								EST-M12-4P	
Check plug types									
<b>Temperature measuring tip</b>									
Mention in °C									400°C
<b>Order code (example) → GF-7123 1 - . - . 3,0. P. 50. 3000. A. 400°C</b>									

MEASURES



**DIGITAL DATA**  
2D, 3D and CAD

[to Download](#)