



## Thermocouple Surface sensor with brass sheet Series GF-7031/MS

### PRODUCT FEATURES

- ✓ Thermocouples  
acc. to DIN EN 60584
- ✓ High precision thermo cable
- ✓ Single / double measuring system
- ✓ Electrical isolated or not isolated
- ✓ Durable
- ✓ Process and failsafe
- ✓ Temperature and long term stable
- ✓ FDA compliant version

### TECHNICAL DETAILS

#### Thermo voltage

Fe-CuNi/J-L, NiCr-Ni/K

#### Standard measures

Brass segment 30 x 15 x 0,3 mm

#### Cable outlet

Straight

#### Material

Brass sheet /  
Sensor made of stainless steel

#### Kink protection spring

Stainless steel

#### Process temp. at the measuring tip

Up to +400 °C depending on version

#### Process connection

Clamp fixing e.g. underneath heating  
elements

#### High - quality cable types

Thermocouple cables  
All available versions

#### Connectivity

Free ends, plug

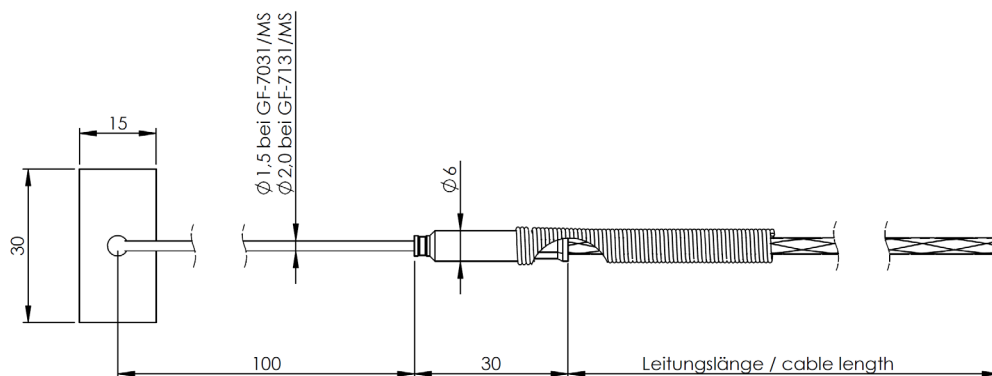
#### Special version

Customized, on request

<b>Standard version</b>		GF-7031/MS	
<b>Number of measuring systems</b>			
1 x		1	
2x		2	
<b>Type of element</b>			
Fe-CuNi Type J DIN EN 60584		FK-J	
Fe-CuNi Type L DIN 43710		FK-L	
NiCr-Ni Type K DIN En 60584		NC	
Check element selection			
<b>Electrical properties</b>			
Grounded		e	
Isolated		i	
<b>Sensor measures</b>			
Standard 30 x 15 x 0,3 mm		without mention	
Further versions on request			
<b>Cable length in mm</b>			
Mention in mm		XXXX	
<b>Cable type</b>			
Glass fiber - Glass fiber - stainless steel braid		without mention	
Glass fiber - Glass fiber - stainless steel braid - PTFE		GL-GL-PVA-TE	
R - Glass fiber - R - Glass fiber - stainless steel braid		RGL-RGL-PVA	
Check cable types			
<b>Connection</b>			
Free Ends, 60 mm			A
Check ends			PRF
Thermo plug "S" standard / "M" mini / "X" element			TSTXS
Round plug "C" 3-pole bayonet lock			CST3PB
Round plug "C" 3-pole screw lock			CST3PS
On request, see datasheet connectors			
<b>Temperature measuring tip</b>			
Mention in °C			400°C
<b>Order code (example)</b>	→	GF-7031/MS .1. FK-J. e.	3000. A. 400°C

MEASURES

GF-7x31/MS



**DIGITAL DATA**  
2D, 3D and CAD

[to Download](#)