



Thermocouple Surface sensor with brass retaining plate Series GF-7031/MS

PRODUCT FEATURES

- ✓ Thermocouples
acc. to DIN EN 60584
- ✓ High precision thermo cable
- ✓ High precision measuring system
- ✓ Single / double measuring system
- ✓ Electrical isolated or not isolated
- ✓ Pure silver interior design
- ✓ Durable
- ✓ Process and failsafe
- ✓ Temperature and long term stable
- ✓ ATEX version
- ✓ FDA / CE compliant version

TECHNICAL DETAILS

Thermo voltage

Fe-CuNi/J-L, NiCr-Ni/K, Pt-RhPt/S-R

Standard measures

Brass segment 30 x 15 x 0,3 mm

Cable outlet

Straight

Material

Brass sheet /
Sensor made of stainless steel

Kink protection spring

Stainless steel,
length 70 mm in standard

Process temp. at the measuring tip

Up to +400°C depending on version

Process connection

Mounting screws M4, enclosed

High - quality cable types

Thermocouple cables
All available versions

Connectivity

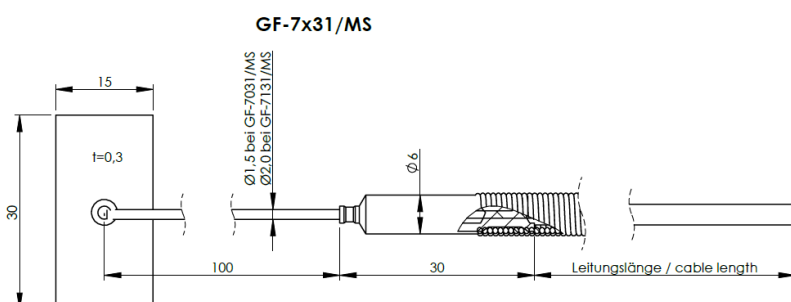
Free ends, plug, special

Special version

Customized, on request

Standard version									
	GF-7031								
Sensor version									
Cable outlet STRAIGHT	/MS								
Number of measuring systems									
1 x	1								
2x	2								
Type of element									
Fe-CuNi Type J	FK-J								
Fe-CuNi Type L	FK-L								
Fe-CuNi Type K	NC								
Check element selection									
Electrical properties									
Grounded	e								
Isolated	i								
Sensor measures									
Standard 30 x 15 x 0,3 mm	without mention								
Further versions on request									
Cable length in mm									
Mention in mm	XXXX								
Cable type									
Glass fiber - Glass fiber - stainless steel braid	without mention								
Glass fiber - Glass fiber - stainless steel braid - PTFE	GL-GL-PVA-TE								
R - Glass fiber - R - Glass fiber - stainless steel braid	RGL-RGL-PVA								
Check cable types									
Connection									
Free Ends, 60 mm	A								
Check ends	PRF								
Thermo plug „S“ Standard / „M“ Mini	TSTXS								
Round plug bayonet lock	CST3PB								
Round plug screw lock	CST3PS								
Check plug types									
Temperature measuring tip									
Mention in °C	400°C								
Order code (example)	→	GF-7031	/MS	1	FK-J.	e.	3000.	A	400°C

MEASURES





DIGITAL DATA
2D, 3D and CAD

to Download