



Thermocouple Surface sensor with pipe clamp fixing Series GF-7022

PRODUCT FEATURES

- ✓ Thermocouples
acc. to DIN EN 60584
- ✓ High precision thermo cable
- ✓ Single / double measuring system
- ✓ Electrical isolated or not isolated
- ✓ Durable
- ✓ Process and failsafe
- ✓ Temperature and long term stable
- ✓ ATEX version
- ✓ FDA / CE compliant version

TECHNICAL DETAILS

Thermo voltage

Fe-CuNi/J-L, NiCr-Ni/K

Standard pipe clamp size

Ø16 mm to Ø130 mm

Standard band clamp size

Ø30 mm to Ø1000 mm

Clamp material

1.4301

Sensor material

Stainless steel

Process temp. at the measuring tip

Up to +600 °C depending on version

Sensor fixing

Closure of the clamp with slot and hexagon

High - quality cable types

Thermocouple cables
All available versions

Connectivity

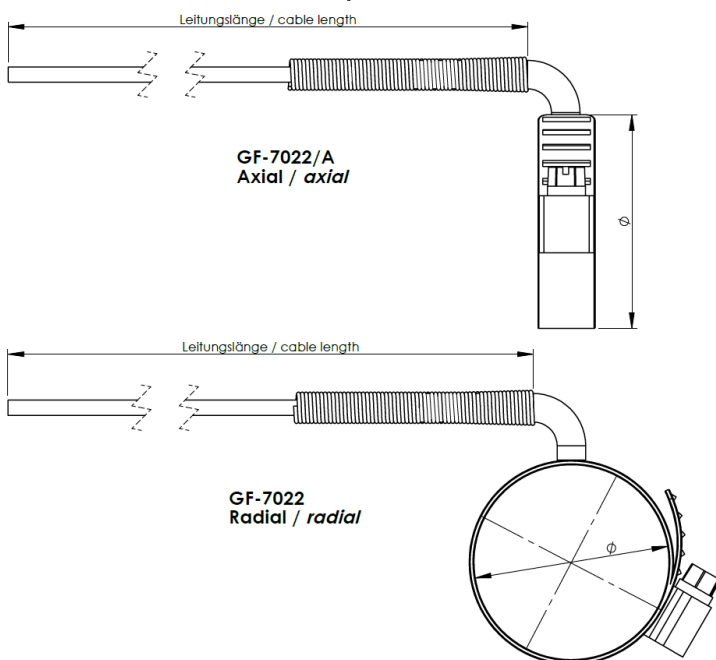
Free ends, plug

Special version

Customized, on request

Standard version		GF-7022									
Cable Outlet											
Radial		/R									
Axial		/A									
Special version											
ATEX		/EX									
High temperature version		/7050									
Number of measuring systems											
1 x			1								
2x			2								
Type of element											
Fe-CuNi Type J DIN EN 60584				FK-J							
Fe-CuNi Type L DIN 43710				FK-L							
NiCr-Ni Type K DIN EN 60584				NC							
Check element selection											
Electrical properties											
Grounded				e							
Isolated				i							
Diameter pipe - or band clamp											
16 mm - 25 mm				68							
20 mm - 32 mm				69							
32 mm - 50 mm				70							
50 mm - 70 mm				71							
70 mm - 90 mm				72							
90 mm - 110 mm				73							
110 mm - 130 mm				74							
Further versions on request											
Cable length in mm											
Mention in mm					XXXX						
Cable type											
Glass fiber - Glass fiber - stainless steel braid						without mention					
Glass fiber - Glass fiber - stainless steel braid - PTFE						GL-GL-PVA-TE					
R - Glass fiber - R - Glass fiber - stainless steel braid						RGL-RGL-PVA					
Check cable types											
Connection											
Free Ends, 60 mm							A				
Check ends							PRF				
Thermo plug "S" standard / "M" mini / "X" element							TSTXS				
Round plug "C" 3-pole bayonet lock							CST3PB				
Round plug "C" 3-pole screw lock							CST3PS				
Further versions on request, see data sheet connectors											
Temperature measuring tip											
Mention in °C								400°C			
Order code (example)		→	GF-7022	/A	.1.	FK-J.	e.	70.	3000.	A.	400°C

MEASURES



DIGITAL DATA
2D, 3D and CAD

[to Download](#)